



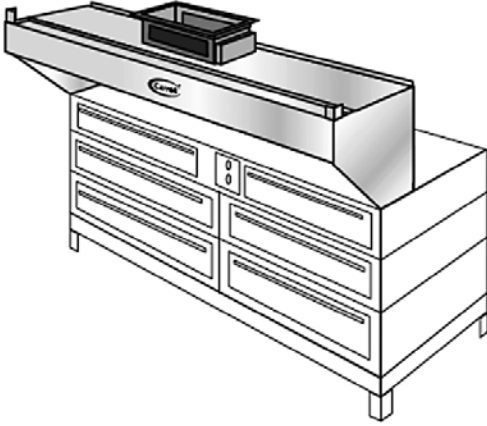
710 S. Powerline Road, Suite H
Deerfield Beach, FL 33442
(954) 421-1238
carrollmanufacturing.com

ITEM NO. _____

Majestic Series

Dry Extractor Insert Ventilator

- Model DX-C-EM-RT
- Model NDX-C-EM-RT



PRODUCT SPECIFICATIONS

Furnish Carroll Ventilator Model DX-C-EM-RT-_____ (ventilator with fire damper) or NDX-C-EM-RT-_____ (ventilator without fire damper) as shown on plans, in the depth indicated, in the overall length of _____, and to meet the following specifications.

GENERAL DESCRIPTION: Ventilator is a high velocity, centrifugal grease extractor with an air inlet that is parallel to the top surface of cooking equipment being ventilated. Grease extraction efficiency shall be 90% when properly installed and operated per Carroll recommendations. Ventilator shall contain one or more removable, stainless steel extractor inserts with full-length, self-draining baffles. Inserts shall remove easily for regular, periodic cleaning. An integral grease collection gutter at the bottom of the extractor chamber shall slope to a removable stainless steel collection container located at one end of the ventilator.

Ventilator shall be operated at air quantities per project plans. Ventilator is designed for direct mounting to oven and shall be equipped with a special oven flue. Ducting for this connection shall be by others. Ventilator may be equipped with a spring-loaded fire damper located at the duct collar. The fire damper shall be 280°F fuse link or thermostatically activated, with damper closure set to occur at 280°F.

CONSTRUCTION MATERIALS: The ventilator shall be 18 gauge, type 304 all stainless steel construction. A number 4 finish shall be provided on all exposed surfaces.

APPROVALS: Ventilator shall be U.L. Listed, listed by NSF, and in accordance with all recommendations of NFPA 96. The ventilator must meet all applicable codes.

APPLICATION

Eyebrow canopy style ventilator mounts directly to roast, bake and reel types of ovens.

DESCRIPTION

The Majestic Series is a non water-wash, wall-mounted, dry extractor ventilator which is U.L. Listed under the category "Exhaust Hood with Exhaust Damper," for the DX-C-EM-RT models or "Exhaust Hood without Exhaust Damper," for the NDX-C-EM-RT models. All models feature unique, removable, stainless steel "extractor inserts" which incorporate a series of horizontal baffles. Extractor inserts are available in two sizes: 15-1/2" (8-1/2 lbs.) and 19-1/2" (10-1/2 lbs.). Inserts are held in place without the use of operable fasteners. On the DX-C-EM-RT model, a spring loaded, fuse-link type fire damper is located at the duct collar. A thermostatically-activated damper is optionally available.

OPERATION

When properly operated and maintained, 90% grease extraction may be accomplished. As air is drawn around the stainless steel baffles of the removable extractor inserts, grease, dust and lint particles are thrown out of the airstream by centrifugal force and collected. The liquified grease is then drained off into a container for removal. Any "DX" series model can be totally integrated with Carroll water-wash series ventilators.

MAINTENANCE

At periodic intervals (such as the end of each cooking day) the stainless steel extractor inserts are to be removed and cleaned. They can be either washed in a dishwasher, hand washed or soaked and rinsed. An optional tool is available which makes removal of the extractors extremely easy.

AIR SUPPLY GUIDELINES

Appropriately conditioned supply air must be mechanically delivered to the space to replace exhausted air. Generally, 75% to 80% is so delivered, with the remaining 20% to 25% flowing naturally from adjoining areas.

EXHAUST/SUPPLY FAN UNITS

Exhaust fan(s) and supply fan(s) are to be furnished and installed by others to meet the Carroll Ventilator air volumes and static pressure drop for the entire system and must be in compliance with local codes.

- Exhaust fan(s) should be properly sized and include induced draft, squirrel cage design, with backward inclined or air-foil type blades.
- Discharge ducts should be vertical and located away from air intakes.
- Supply fan(s) should be equipped with throwaway or cleanable type filters.
- Exhaust and supply fans require a magnetic starter switch with a 120 volt holding coil and should be electrically interlocked for simultaneous operation.

FIRE PROTECTION

NFPA 96 and most other codes require a fire extinguishing system for protection of both the duct collar and plenum areas of ventilators and for the protection of cooking equipment (such as fat fryers, griddles, ranges and broilers) which may be a source of ignition of grease. Check with local fire authorities for exact requirements.

OPTIONAL EQUIPMENT

Consult Carroll regarding custom services addressing:

- Exhaust Fans, Supply Fans & Roof Top Units
- Fire Protection Systems
- Heat Recovery Units
- Utility Distribution Systems
- Air Purification Units

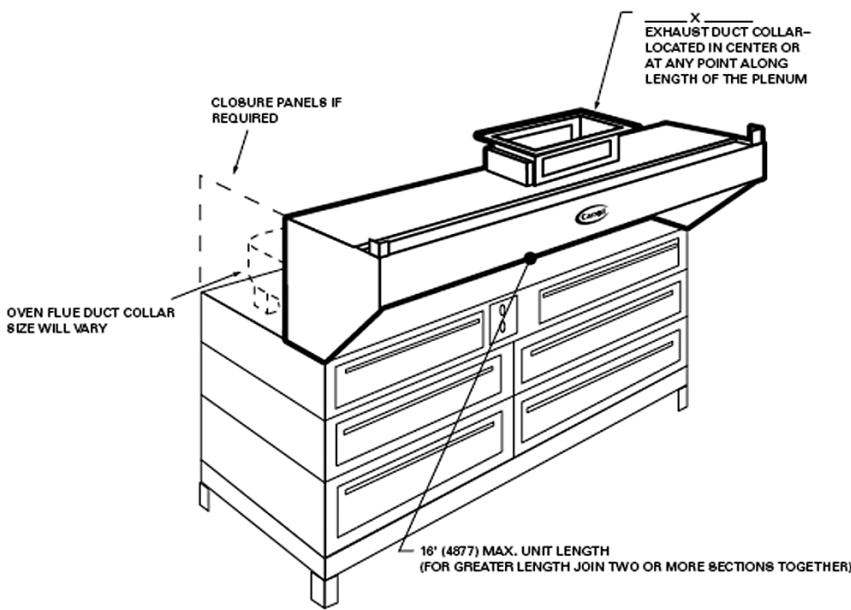


Model DX-C-EM-RT-_____ (With Fire Damper)

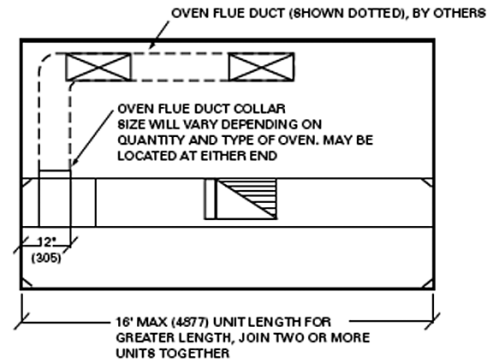
Model NDX-C-EM-RT-_____ (Without Fire Damper)



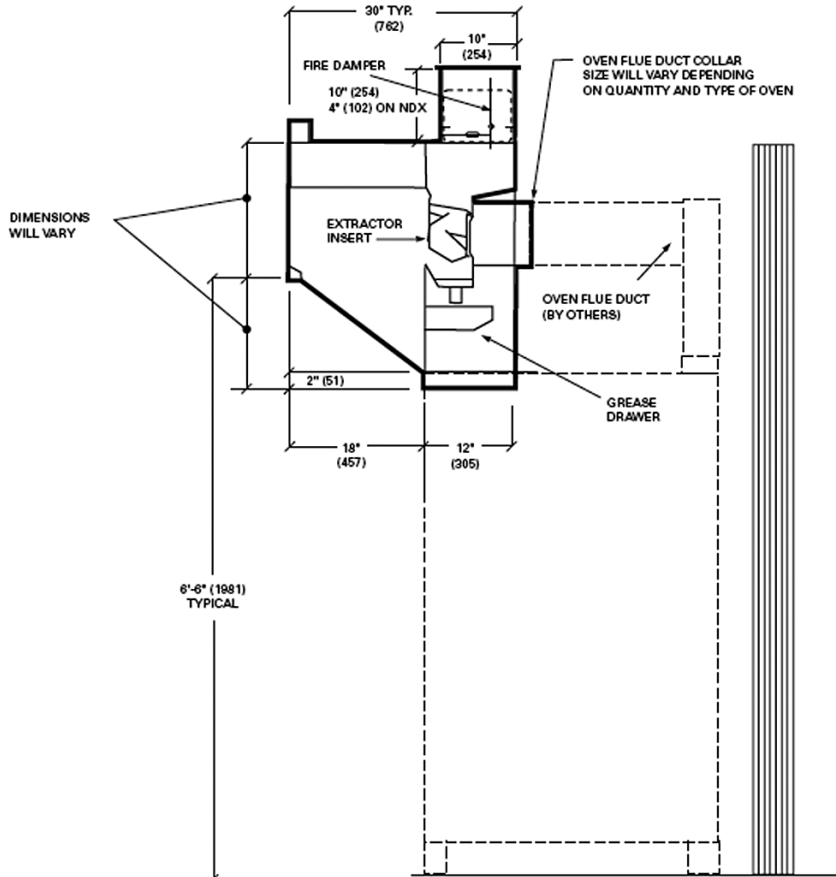
To complete the model number, insert the desired depth of the unit in inches. Example: "DX-C-EM-RT-30" (See typical "Section View" below.)



Perspective View
N.T.S.



Plan View
N.T.S.



Section View
N.T.S.

NOTE: Dimensions in parenthesis () are millimeters.

Engineering Data

MECHANICAL REQUIREMENTS

Model DX-C-EM-RT minimum exhaust volume is 150 CFM per lineal foot (232 Ltrs/sec/lin. m). The overall ventilator length determines total exhaust volume. Refer to the Carroll Master Engineering Table to determine duct sizes and static pressure.

ELECTRICAL

An optional Carroll stop/start switch, Model CS200, is provided for each exhaust fan. Refer to Model CS200 spec. sheet for specifications and electrical details.

VENTILATOR LENGTHS

Maximum unit length is 16'-0" (4877 mm). For greater lengths, two or more sections must be joined. Check to ensure that there is adequate access into building and kitchen area.

HANGING WEIGHT

50 lbs per linear foot of ventilator.
74 kg. per linear meter of ventilator.

Item No: _____ Height: _____

Est. Wt.: _____ Exhaust - CFM: _____

Length: _____ Duct Size: _____

Width: _____ S. P.: _____